

LIVE ON-SITE

PUBLIC AUCTION



Thursday, May 23rd, 2013 @ 2:00PM
Cedar Springs, MI (Kent Co.)



Live Auction Calendar

Monday, May 20th @ 4:00PM Coopersville, MI
Live On-site Public Auction w/ 1958 John Deere 420 w/factory 3pt, Allis Chalmers B, Line of 3pt Equipment, Shop Tools, Guns, Furniture & Household Items

Thursday, May 30th @ 2:00PM Spring Lake, MI
Live On-site Public Estate Auction w/ 2010 Ford Lariat 4x4 Super Cab (22,800 1-owner miles), John Deere LT 150 lawn tractor, Guns, Shop Tools, Lawn Equipment, Regina table top disc music box, Primitives, Collectibles, House full of Furniture & Much More! Held to settle the Estate of the Late Marvin Bottema.

Saturday, June 15th @ 9:00AM Coopersville, MI
Live On-site Public Auction w/ 1-Owner Collection including 60 Collector Tractors, Antique Farm Equipment, Tractor Parts, Antiques, Shop Tools & Much More.

Saturday, June 22nd @ 10:00AM Dutton Christian Middle School, Dutton, MI
Live Public Auction w/ 1-owner collection including Petrolena Collection & Rec Room items including 8 Restored Gas pumps, Koken barber chair, Pinball machine, Coca-Cola floor cooler, juke box, Coin-op machines, Neon signs, Cigarette machine, Sinclair "Dino Gasoline" glass globe, Shop tools, Antiques, Furniture & More. After the death of her husband, owner will be selling his collection at Public Auction.

www.artsmithauctions.com

LIVE ON-SITE PUBLIC AUCTION

Thursday Afternoon, May 23rd, 2013 starting at 2:00PM

At the house # 13250 Algoma Ave. Cedar Springs, MI 49319

DIRECTIONS: US-131 north of Grand Rapids 17 miles or south of Big Rapids 35 miles to the Cedar Springs / **M-46 WEST** exit # 104, west 2 miles to Algoma Ave. then south 1 mile. OR east of Muskegon 31 miles on M-46 to Algoma Ave. and south 1 mile. (Kent Co.)

NOTE: Russ had an extensive cast iron toy collection, numbering over 200 pieces!

They were all displayed in custom display case and all will be selling. The Kubota tractor was purchased new by Russ in 1992, used very little (only 242 hours!) and always stored indoors. Combined with the 3pt equipment (always stored in the barn and like new), antiques, collectibles, shop and lawn tools will make this one nice afternoon Auction to attend. The homes on 12 Mile Road and Algoma Ave. will both be listed for sale thru ordinary listing in the weeks ahead if you are interested. Be sure to make plan to be on Algoma Ave. on Thursday afternoon, May 23 @ 2:00PM for the start of this most interesting Live Auction event.

For your convenience we will have port-a-jons, wash-up station and lunch wagon.

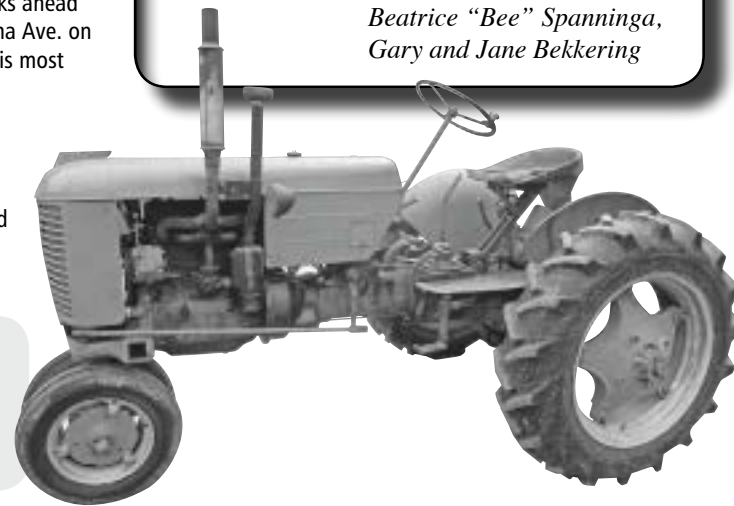
TERMS: Cash or good check day of Auction. Master Card or VISA with 3% service fee. We subscribe to Check Alert Inc. (A national check collection company.)

APPROX. ORDER OF AUCTION:

- 2:00PM: Ring 1 Shop & Lawn Tools
- 2:00PM: Ring 2 Household & Furniture
- 3:00PM: Ring 3 Cast Iron Toy Collection
- 4:00PM: Tractors & Equipment

Due to the death of my husband, Russ Spanninga, I along with my son and daughter-in-law Gary and Jane Bekkering are selling our homes and moving to Florida. We have commissioned Art Smith Auctioneers to sell the following listed items at Live Public Auction at the place and time listed above. We invite all to attend our Thursday afternoon Auction and thank you in advance for your attendance.

*Regards,
Beatrice "Bee" Spanninga,
Gary and Jane Bekkering*



Visit www.artsmithauctions.com for over 100 photos of this Auction!



Art Smith
(616) 696-2598
E-mail: artsmith@triton.net

Noah Smith
(616) 633-4254
E-mail: noahsmith@hughes.net

Professionals in the Live Auction Method of Marketing

SHOP & LAWN TOOLS:

Acetylene torch set, complete on cart
 Lincoln 225 arc welder
 Cub Cadet Mod. 129 HydroDrive garden tractor with 44" mower deck
 Delta bench model drill press
 Upright 220 Volt air compressor
 Sand blaster
 10 bags of sand
 Craftsman roll-a-bout 6 drawer tool chest with 6 drawer top tool box
 Rockwell 4" belt-12" disc sander on stand
 18" elect. lawn mower
 Wheel barrow
 Hitachi Koki 2" roofing air nailer
 Router
 1/2" air impact wrench
 2 HP rototiller
 2-door metal shop cabinet
 Metal shop shelves
 Chain fall
 Organizers full of hardware
 Bench grinder
 Levels
 Squares
 Straight edges

Roller stands
 Large vice
 Nuts & bolts
 Drill bits
 Sand paper
 Hand saws
 Shop table
 S&K sockets
 Craftsman sockets
 Open/box wrenches to 1 3/4"
 Chisels
 Pipe wrenches
 Pipe reamer
 Torque wrench
 Elect. staplers
 Brace & bit
 Crow bars
 Air Brad nailer
 Air chisel
 Elect. drills
 Elect. sanders
 Skil saw
 6' aluminum step ladder
 18' wood extension ladder
 Push brooms
 Log chains
 Chain binders
 Sledge hammer
 Saw horses
 Hose reel
 Extension cords
 Battery charger
 (2) lg. box traps
 Medium box trap
 Small box trap

Jumper cables
 Floor jack
 Garden fence
 Fiberglass 8' step ladder
 Limb trimmers
 Hedge trimmers
 Lawn cart
 Hand trucks
 Appliance cart
 Craftsman 3 drawer roll-a-bout tool chest with 4 drawer top tool box
 Hand tools and wrenches
 Shop vac
 Wood shop cabinet
 Hand seeder
 Hyd. jacks
 Construction angle iron
 8' wood work bench with top shelves
 Tool boxes
 22' fiberglass extension ladder
 20' wood extension ladder
 Kennedy machinist tool chest
 Stihl 018C chain saw
 Homelite chain saw
 Skil saw chain saw
 Drum rack
 Rakes, hoes, shovels, axes Etc. etc.



HOUSEHOLD:

Corner china hutch
 Dining room table with leaves and 6 chairs
 Floor lamp
 Table lamps
 Modern GWTW lamp
 Rocker recliner
 Sofa/sleeper
 (2) Entertainment centers
 Office chair
 Thread cabinet
 (3) desks
 End tables

Ethan Allen matching 5-drawer chest & 8-draw dresser with mirror and night stand
 15.7 cubic ft chest freezer
 Small kitchen appliances
 Canning jars
 Floor fan
 8-drawer dresser
 Folding table & chairs

Sentry combination floor safe 17" wide X 20" high X 16" deep
 Knick Knacks
 Leatherette sofa
 Chest of drawers and night stand
 Singer sewing machine in cabinet
 Metal desk
 Bassett 5-drawer dresser & 3 drawer commode
 Rocking chair
 Pots & pans
 Etc. etc.

MISCELLANEOUS:

(8) 4' wide X 56" high X 12" deep wall display case with Plexiglas sliding fronts and shelves (Used to display Russ's cast iron toy collection)
 6' wide X 56" high X 12" deep wall display case
 Approx. 30 wall shelves

6' folding table
 Wood doweling
 1/4" Plexiglas
 File cabinets
 Pad locks
 Die down straps with ratchets
 (4) 1 1/4" X 16' well pipe
 Tires
 Wash tubs
 Coolers
 Construction angle iron

1" X 4' X 8' tong & groove insulation board
 Rubber semi-trailer tarps
 Semi-trailer 30" side racks
 Kerosene heater
 Coleman camp stove & lantern
 Garbage cans
 Rope
 (2) Aluminum tanks
 Scrap iron & wire

MORE, LOTS MORE!!!



CAST IRON TOY COLLECTION:

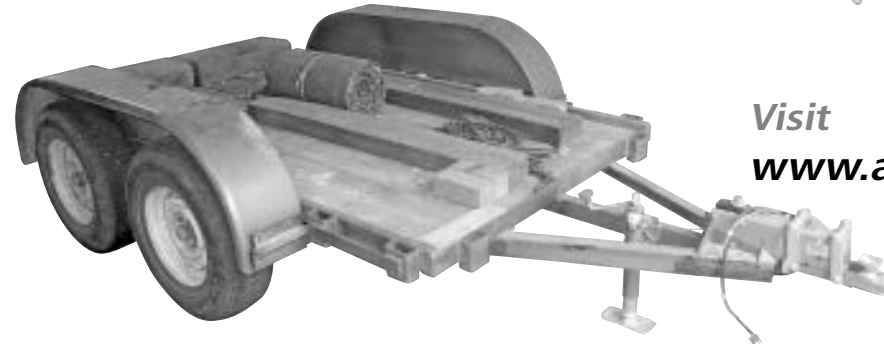
Approx. **200 CAST IRON TOYS:** Many original old toys, some repos, some repainted
SPECIAL MENTION: (2) 1/16 scale threshers, (7) 1/16 scale steam tractors, several hook and ladder horse drawn, several 1/16 scale steam engine models, Cannons, many horse & carriage, several 3 horse fire pumpers, many toy parts including wheels and wagon parts. Over 200 toys, plus parts!
 Visit www.artsmithauctions.com for pictures of all toys

ANTIQUES & COLLECTIBLES:

Toy collector magazines and catalogs
 (4) Horse anchors
 Large model train set, newer
 "Tractor" watch fobs
 Leverage cart with steel wheels
 Ammo box

Hand scythe
 Radio Flyer metal youth wagon
 Grandfather clock
 Drop front desk
 Howard Miller wall clock
 Baker Furniture Co. end tables
 Kerosene lamps

Upholstered hip chair
 Lane cedar chest
 Framed prints
 Army trunk
 Pie basket
 Picnic basket
 Aluminum roaster
 Etc. etc.



TRACTORS:

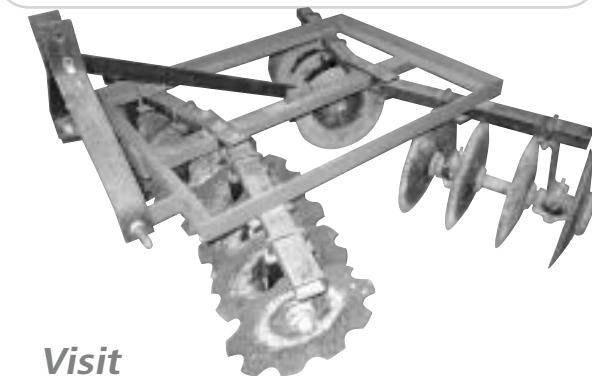
1992 Kubota Mod. B-2150 HST, diesel, 4WD, 3pt., 13.6X16" turf tires, with Kubota Mod. LA 350 front loader, 24 HP, **242 one owner hours**, Ser. # 53605
 1951 Case Mod. V, NF, 3pt. fenders, 11.2X28" tires, Ser. # 5550230

EQUIPMENT:

3pt. 6' back blade
 3pt. 6' disc
 3pt. 5' brush hog, like new
 3pt. King Cutter 6' back blade
 3pt. King Cutter 5' brush hog

TRAILER:

5'X10' heavy duty "Skidsteer" type tandem axle trailer with surge brake



Visit www.artsmithauctions.com for over 100 photos of this Auction!